
SN01K553-M (ORDER NO. 085254)

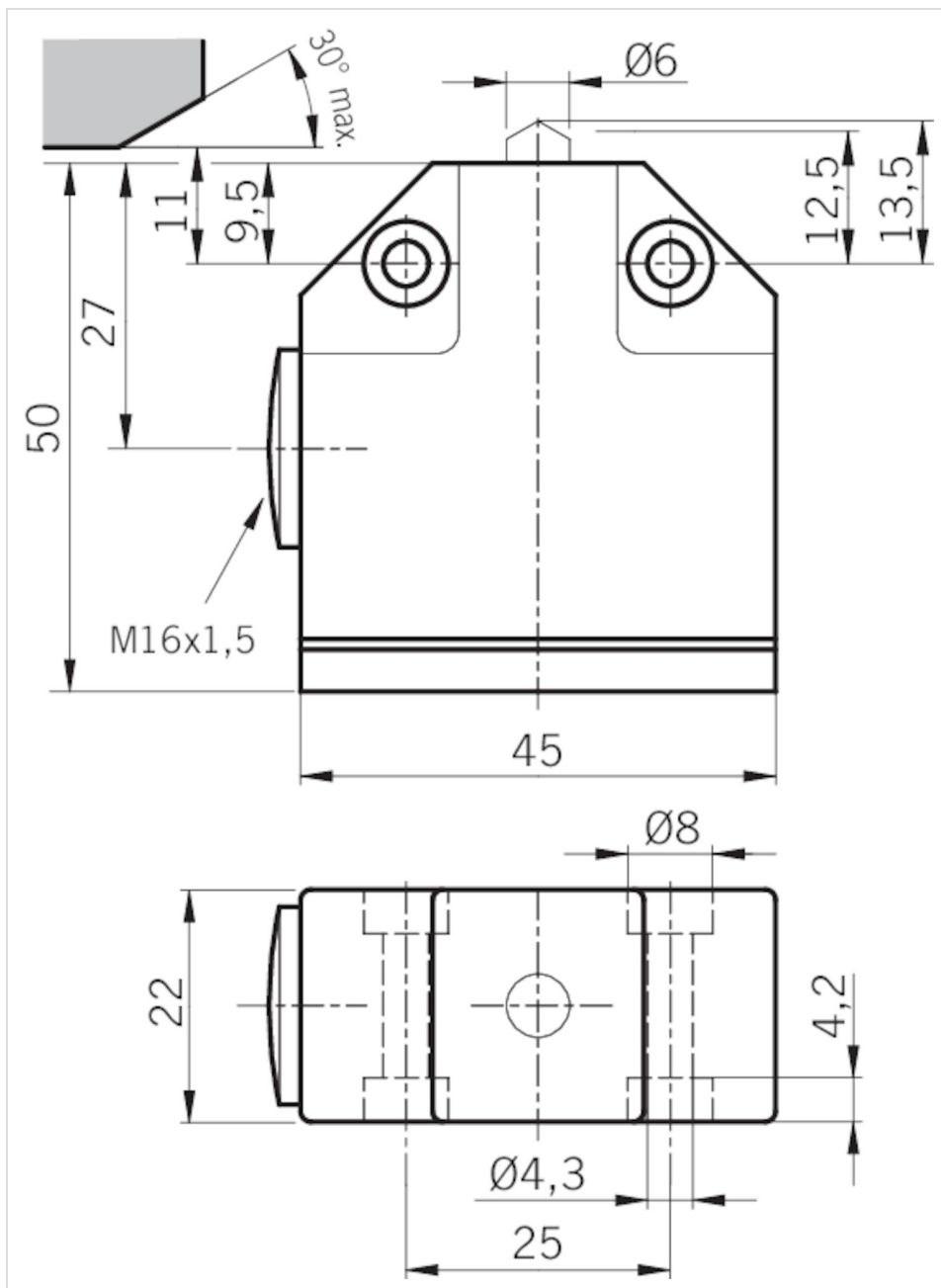
Precision single limit switch SN01, ball plunger

- ▶ Plunger material stainless steel

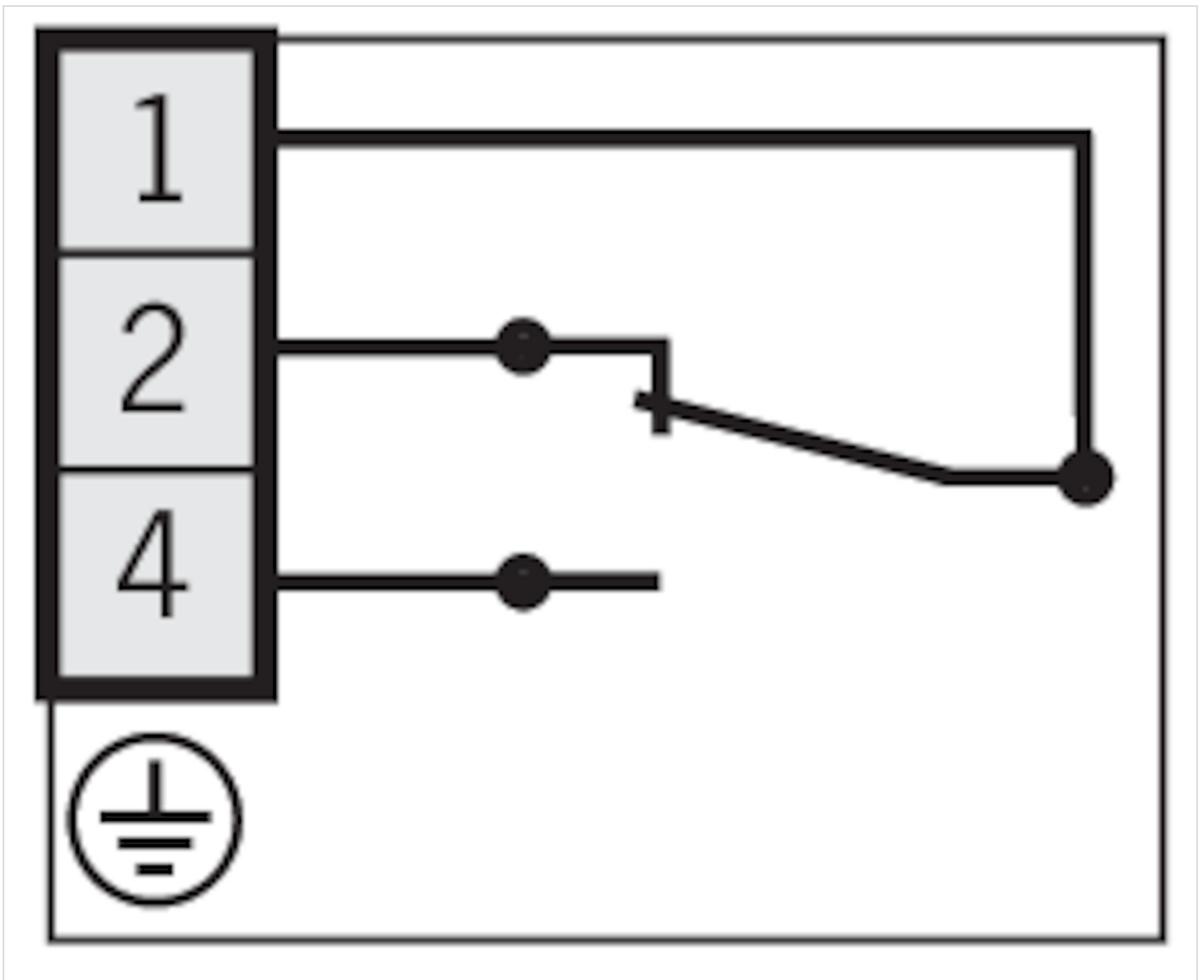


Description

Dimension drawing



ES553



Technical data

Approvals

EAC


Mechanical values and environment


Housing material	Housing	Anodized die-cast alloy
Weight	Net	0,1 kg
Ambient temperature		-5 ... 80 °C
Degree of protection		IP67
Mechanical life		10 x 10 ⁶
Contact material		Silver alloy, gold flashed
Switching principle		Changeover contact with snap-action function
Installation orientation		Any
Tightening torque	Screw terminal switching element	max.0,2 Nm Hexagon socket AF 1.3 mm
Number of door position NC contacts		1 Changeover contact
Number of door position NO contacts		1 (Changeover contact)
Connection		1 x M16 x 1.5
Approach speed		0,01 ... 8 m/min
Actuating element	Steel ball D ball = 4mm	Ball plunger
Actuating force		15 ... 20 N


Electrical connection ratings


Thermal rated current I _{th}		6 A
Utilization category acc. to EN 60947-5-1	AC-15	2A 230V
	DC-13	2A 24V
Short circuit protection according to IEC 60269-1		6A gG
Rated insulation voltage U _i		250 V
Rated impulse withstand voltage U _{imp}		2,5 kV
Switching current	Min. at DC 24V	10 mA
Connection cross-section		0,14 ... 1 mm ²

Contacts

 EUCHNER GmbH + Co. KG
 Kohlhammerstraße 16
 70771 Leinfelden-Echterdingen

 +49 711 7597-0

 +49 711 753316

 info(at)euchner.de